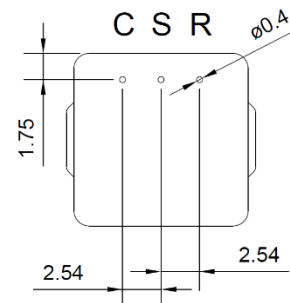
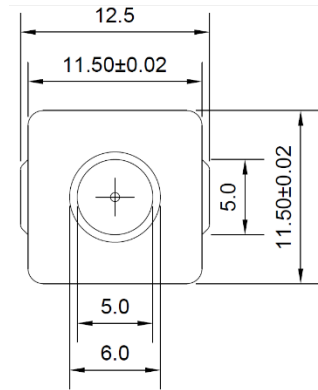
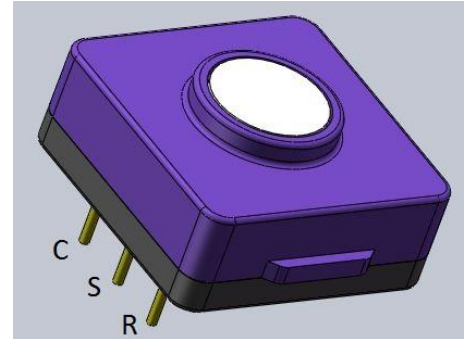


**NO<sub>2</sub>-100-ES1 Nitrogen Dioxide Polymer Sensor**

Technical Specification

Sensitivity	20±10 nA/ppm
Zero current	±2 nA
Response time	
- T <sub>50</sub>	< 10 s
- T <sub>90</sub>	< 30 s
Range	100 ppm
Lower Detectable Limit (LDL)	0.2 ppm
Maximum Overload	500 ppm
Linearity	
Temperature Range	-20°C to +50°C
Humidity Range	10% to 95% rH non-condensing
Pressure Range	
Warm-up Time (typical)	60 s
Long Term Sensitivity Drift	< 1 %/month
Zero Drift	
Expected Life Time	> 3 Years



All dimensions in mm.  
 All tolerances are 0.10 mm unless otherwise stated.

Cross-sensitivity

Gas	Formula	Test concentration	Reading
Ammonia	NH <sub>3</sub>	20 ppm	n.a.
Carbon Dioxide	CO <sub>2</sub>	5000 ppm	No cross-sensitivity expected
Carbon Monoxide	CO	50 ppm	n.a.
Chlorine	Cl <sub>2</sub>	1.0 ppm	n.a.
Hydrocarbons unsaturated	-	1 %	n.a.
Hydrogen	H <sub>2</sub>	100 ppm	n.a.
Isopropanol	C <sub>3</sub> H <sub>7</sub> OH	1000 ppm	n.a.
Nitric Oxide	NO	25 ppm	n.a.
Ozone	O <sub>3</sub>	0.5 ppm	n.a.
Sulphur Dioxide	SO <sub>2</sub>	20 ppm	n.a.